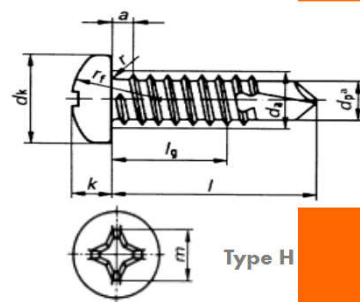


B.S.N. Fastener Limited



Cross recessed pan head drilling screws

Specification Standard: DIN 7504N

Material: Grade 410 stainless steel

Material - standard: DIN 1.4406 / AISI 410

Dimensions in millimetres

Thread size	ST 3.5	ST4.2	ST 4.8	ST 5.5	ST 6.3
dk (head width) max.	6.9	8.2	9.5	10.8	12
k (head height) max.	2.55	3.05	3.55	3.95	4.55
Pitch	1.3	1.4	1.6	1.8	1.8
Recess No.	2	2	2	3	3
m ref.	3.9	4.4	4.9	6.4	6.9

Description: Pan head drilling screw

Order designation: P7504N + article no. (example: P7504N-35010)

d x L	article no.	d x L	article no.	d x L	article no.
3.5 x 10	35010	4.8 x 10	48010		
3.5 x 12	35012	4.8 x 12	48012		
3.5 x 16	35016	4.8 x 16	48016		
3.5 x 19	35019	4.8 x 19	48019		
3.5 x 25	35025	4.8 x 25	48025		
3.5 x 32	35032	4.8 x 32	48032		
3.5 x 37	35037	4.8 x 37	48037		
3.5 x 50	35050	4.8 x 50	48050		
		4.8 x 62	48062		
4.2 x 10	42010	4.8 x 75	48075		
4.2 x 12	42012	4.8 x 100	48100		
4.2 x 16	42016				
4.2 x 19	42019	5.5 x 12	55012		
4.2 x 25	42025	5.5 x 16	48016		
4.2 x 32	42032	5.5 x 19	48019		
4.2 x 37	42037	5.5 x 25	48025		
4.2 x 50	42050	5.5 x 32	48032		
4.2 x 62	42062	5.5 x 37	48037		
4.2 x 75	42075	5.5 x 50	48050		



Remark: other sizes on request (www.BSNfastener.com)

P7504N

Page 3-18