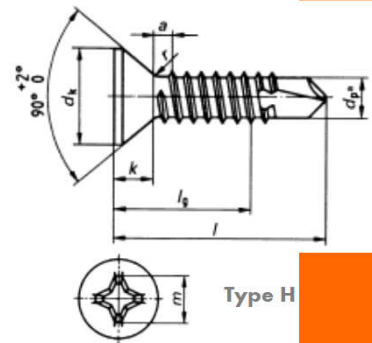


B.S.N. Fastener Limited



Cross recessed countersunk head drilling screws

Specification Standard: DIN 7504P

Material: Grade 410 stainless steel

Material - standard: DIN 1.4406 / AISI 410

Dimensions in millimetres

Thread size	ST 3.5	ST4.2	ST 4.8	ST 5.5	ST 6.3
dk (head width) max.	7.3	8.4	9.3	10.3	11.3
dk (head width) min.	6.9	8	8.9	9.9	10.9
k (head height) max.	2.35	2.6	2.8	3	3.15
Pitch	1.3	1.4	1.6	1.8	1.8
Recess No.	2	2	2	3	3
m ref.	4.4	4.6	5.2	6.6	6.8

Details refer to standard specification

Description: Countersunk head drilling screw

Order designation: P7504P + article no. (example: P7504P-35010)

d x L	article no.	d x L	article no.	d x L	article no.
3.5 x 10	35010	4.8 x 10	48010		
3.5 x 12	35012	4.8 x 12	48012		
3.5 x 16	35016	4.8 x 16	48016		
3.5 x 19	35019	4.8 x 19	48019		
3.5 x 25	35025	4.8 x 25	48025		
3.5 x 32	35032	4.8 x 32	48032		
3.5 x 37	35037	4.8 x 37	48037		
3.5 x 50	35050	4.8 x 50	48050		
		4.8 x 62	48062		
4.2 x 10	42010	4.8 x 75	48075		
4.2 x 12	42012	4.8 x 100	48100		
4.2 x 16	42016				
4.2 x 19	42019	5.5 x 12	55012		
4.2 x 25	42025	5.5 x 16	48016		
4.2 x 32	42032	5.5 x 19	48019		
4.2 x 37	42037	5.5 x 25	48025		
4.2 x 50	42050	5.5 x 32	48032		
4.2 x 62	42062	5.5 x 37	48037		
4.2 x 75	42075	5.5 x 50	48050		

