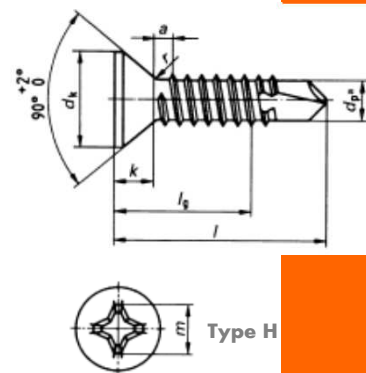


B.S.N. Fastener Limited



Cross recessed countersunk head drilling screws type H

Specification Standard: DIN 7504P

Mechanical properties - property class: A2 stainless steel

Mechanical properties - international standard: ISO 3506

Dimensions in millimetres

Thread size	ST 3.5	ST 4.2	ST 4.8	ST 5.5	ST 6.3
dk (head width) max.	7.3	8.4	9.3	10.3	11.3
dk (head width) min.	6.9	8	8.9	9.9	10.9
k (head height) max.	2.35	2.6	2.8	3	3.15
Pitch	1.3	1.4	1.6	1.8	1.8
Recess No.	2	2	2	3	3
m ref.	4.4	4.6	5.2	6.6	6.8

Details refer to standard specification

Description: Countersunk head drilling screw

d x L	article no.	d x L	article no.	d x L	article no.
3.5 x 10	35010	4.8 x 10	48010		
3.5 x 12	35012	4.8 x 12	48012		
3.5 x 16	35016	4.8 x 16	48016		
3.5 x 19	35019	4.8 x 19	48019		
3.5 x 25	35025	4.8 x 25	48025		
3.5 x 32	35032	4.8 x 32	48032		
3.5 x 37	35037	4.8 x 37	48037		
3.5 x 50	35050	4.8 x 50	48050		
		4.8 x 62	48062		
4.2 x 10	42010	4.8 x 75	48075		
4.2 x 12	42012	4.8 x 100	48100		
4.2 x 16	42016				
4.2 x 19	42019	5.5 x 12	55012		
4.2 x 25	42025	5.5 x 16	48016		
4.2 x 32	42032	5.5 x 19	48019		
4.2 x 37	42037	5.5 x 25	48025		
4.2 x 50	42050	5.5 x 32	48032		
4.2 x 62	42062	5.5 x 37	48037		
4.2 x 75	42075	5.5 x 50	48050		
		5.5 x 62	48062		

Remark: other sizes on request (www.BSNfastener.com)

